



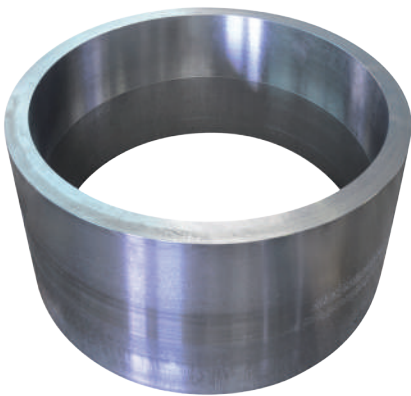
VALVES

COMPONENTS FOR BALL & BUTTERFLY VALVES

■ BODY

For 3 pieces ball valves

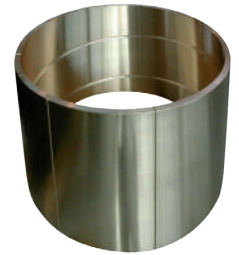
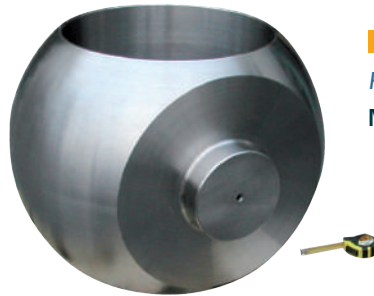
Material: Duplex CD3MN



■ BALL

For trunnion mounted ball valve

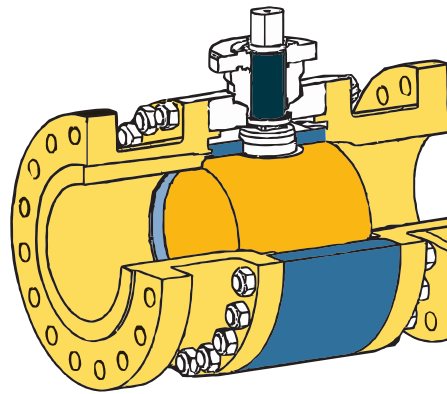
Material: M-35-1



■ BALL TRUNNION BEARING

For trunnion mounted ball valve

Material: Bronze



■ FLANGE

For 2 or 3 pieces ball valves

Material: Duplex CD3MN



■ SEAT

For ball and butterfly valves

Material: CW-6MC



SEALING RING

For butterfly valves

Material: CW-12MW



COMPONENTS FOR PROCESS VALVES

■ CAGES

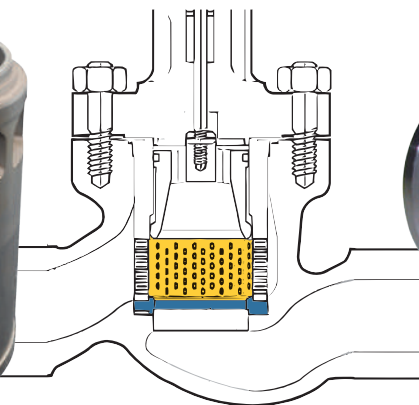
for pressure control valves

Material : CB7Cu1,
CF8M, Nickel based
alloys



■ SEAT

for control valves



Please contact us for more specific products!

E.mail : commercial@lbi.fr - Web site : <http://www.lbi.fr>

MATERIALS

- Austenitic stainless steel Alloys (CF8M, CF3M...)
- Aluminium-Bronze (UNS C95500...)
- Duplex and Super Duplex (CD4MCu, CD3MN...)
- Nickel-based and high-alloys (CW-6MC, CU5MCuC, M-35-1 CW-12MW...)
- Martensitic alloys (CA15, CA6NM...)
- Other materials on request

CONDITION

- Rough machined
- Finish machined on our CNC lathes

SIZE RANGE

- ID from 4" (100mm) to more than 161" (4100mm)

OUR ADVANTAGES

- Cost saving solution (in material and machining)
- Excellent resistance to corrosion
- Many alloys available upon request and extensive range of dimensions
- Long experience and recognized know-how in pumps & valves industry
- Qualified quality and control staff in in-house laboratory:
 - non destructive testing (Chemical analysis, Visual, dye penetrant examination , Ultrasonic, ferrite tests, radiography procedure, pressure,)
 - and destructive tests (Mechanical and Impact, hardness, corrosion tests)

MAIN APPLICATIONS

- Oil & gas
- Hydro power
- Nuclear power plant
- Industrial processes
- Water supply...

MAIN REFERENCES

- OEM's
- Users and plant operators
- Repairing workshops



LBI - 26, rue de la République
B.P. 2 - 57360 Amnéville - FRANCE
Telephone +33 (0) 3 87 71 15 11
Fax +33 (0) 3 87 71 14 96
E.mail : commercial@lbi.fr
www.lbi.fr